

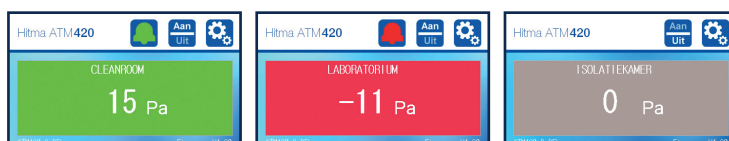
# ATM420 touchscreen display for pressure monitoring

## Datasheet ATM420

The ATM420 touchscreen display warns personnel in intensive care units, cleanrooms, operating rooms, isolation rooms and patient rooms by means of audiovisual alarms when the room pressure exceeds the set limit values for overpressure or underpressure.

The ATM420 display has a flush-mount bezel and integrated flush-mounting box for easy installation in walls of double 12 mm plaster or single plaster with a wooden frame. There are standard sets for monitoring one, two or three rooms, where the background color indicates the status per room. If the adjustable delay is exceeded, the buzzer can also be activated.

Optionally, there is now a status lamp that can show the status of the display in another room. If it is also desired to see the measured values on a second location, a slave display is a good option. With the optional Modbus RTU output it is possible to communicate all statuses to a building management system (BMS) in addition to the measured values.



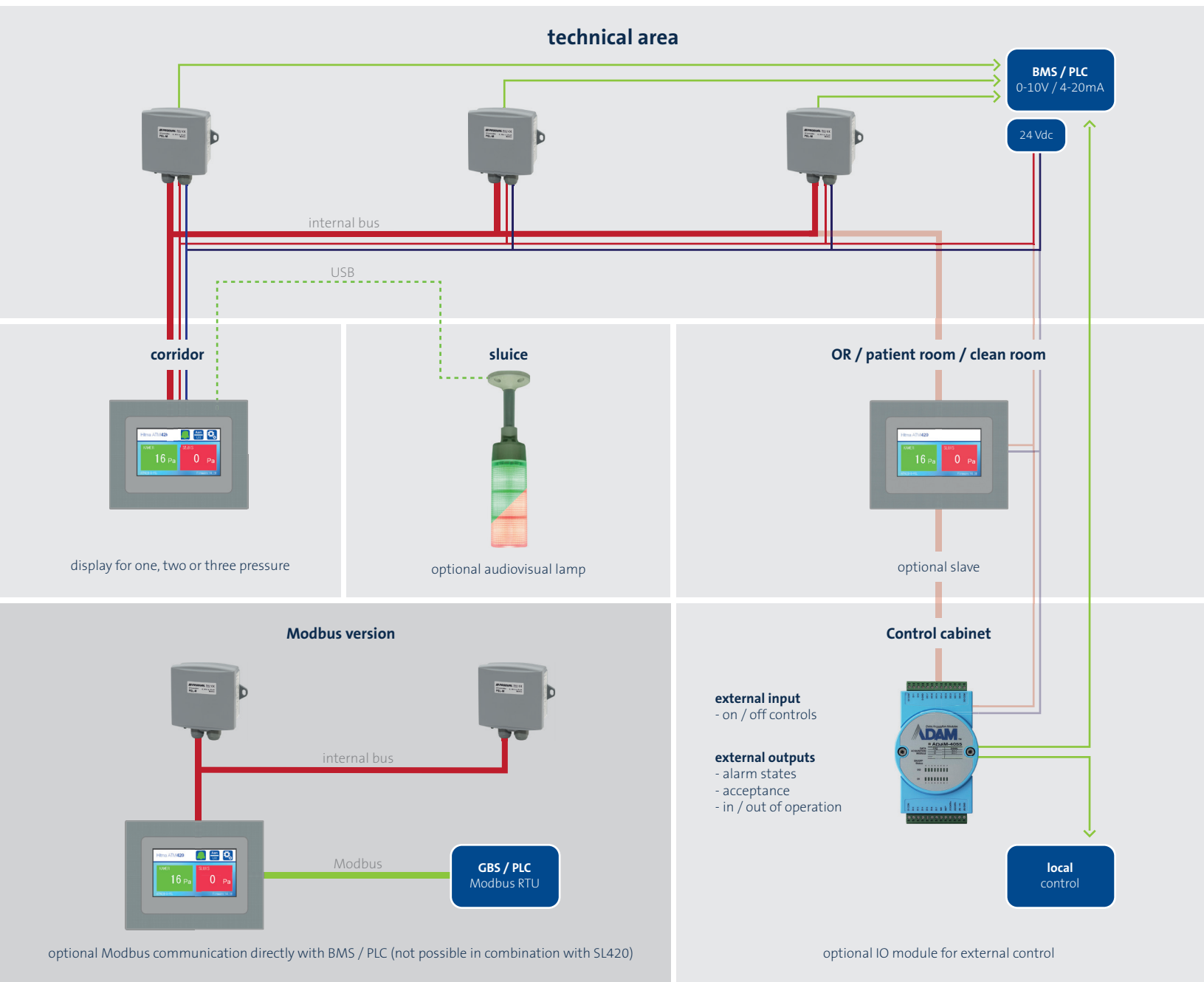
### Technical specifications

Measuring range	-50...50 Pa
Power supply	24 Vdc max. 3,9W
Analog outputs	4-20 mA OF 0-10 V
Digital communication	Modbus RTU optional
Power consumption	Display 3,9W, transmitter 2W
Display	TFT 4,3" (95 x 53,9 mm)
Resolution	80 x 272 pixels
Ambient conditions	0 ... 50°C en 10 ... 90%RH
Accuracy	± 1 Pa

# standard packages and options of the ATM420

There is a standard package for overpressure or underpressure monitoring for a single room and a package for monitoring a room and an air lock on one display.

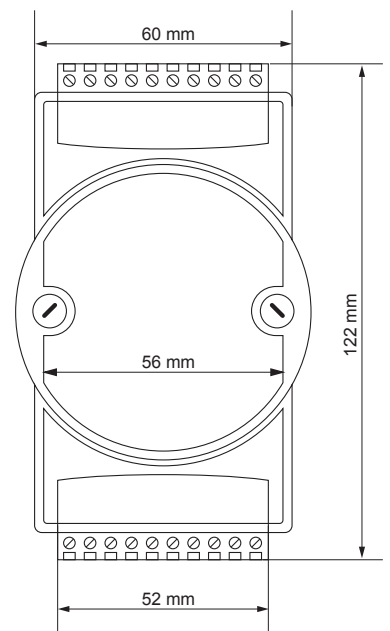
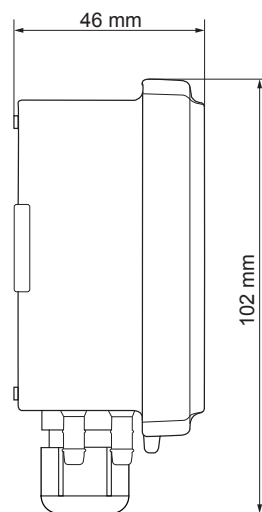
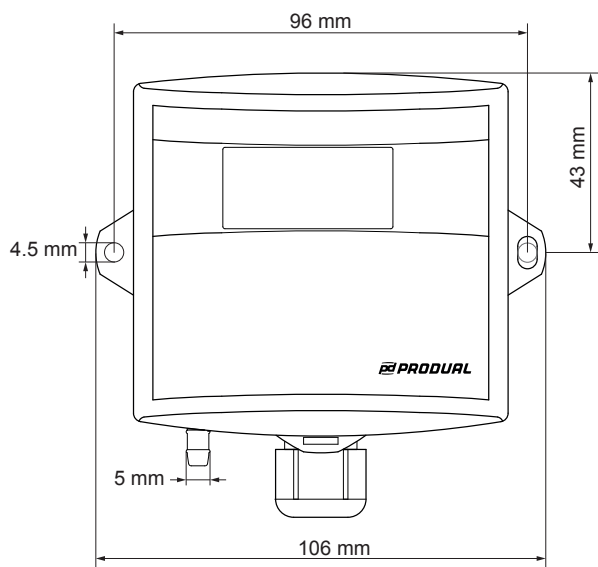
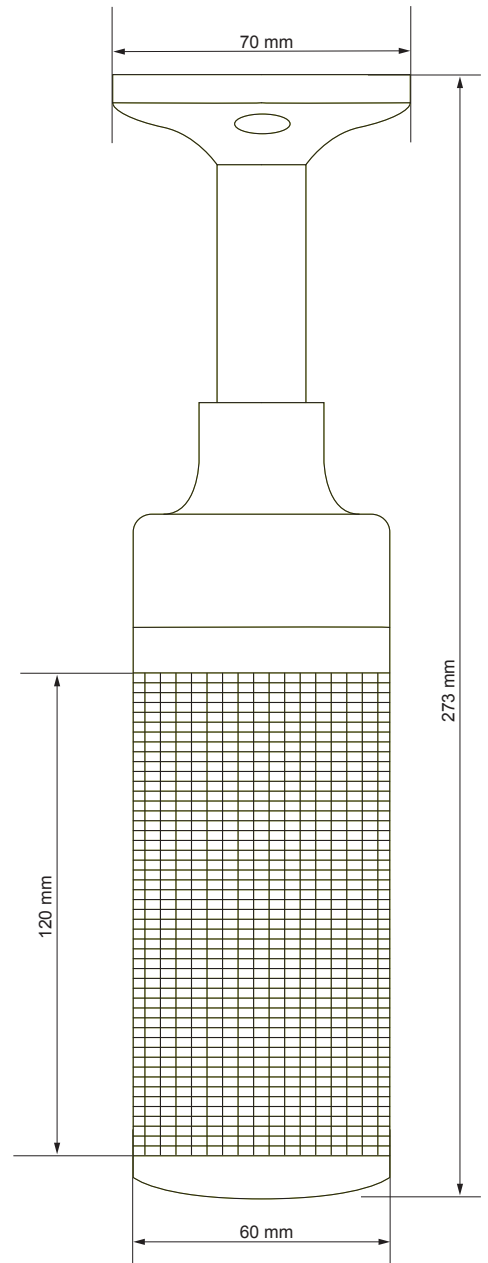
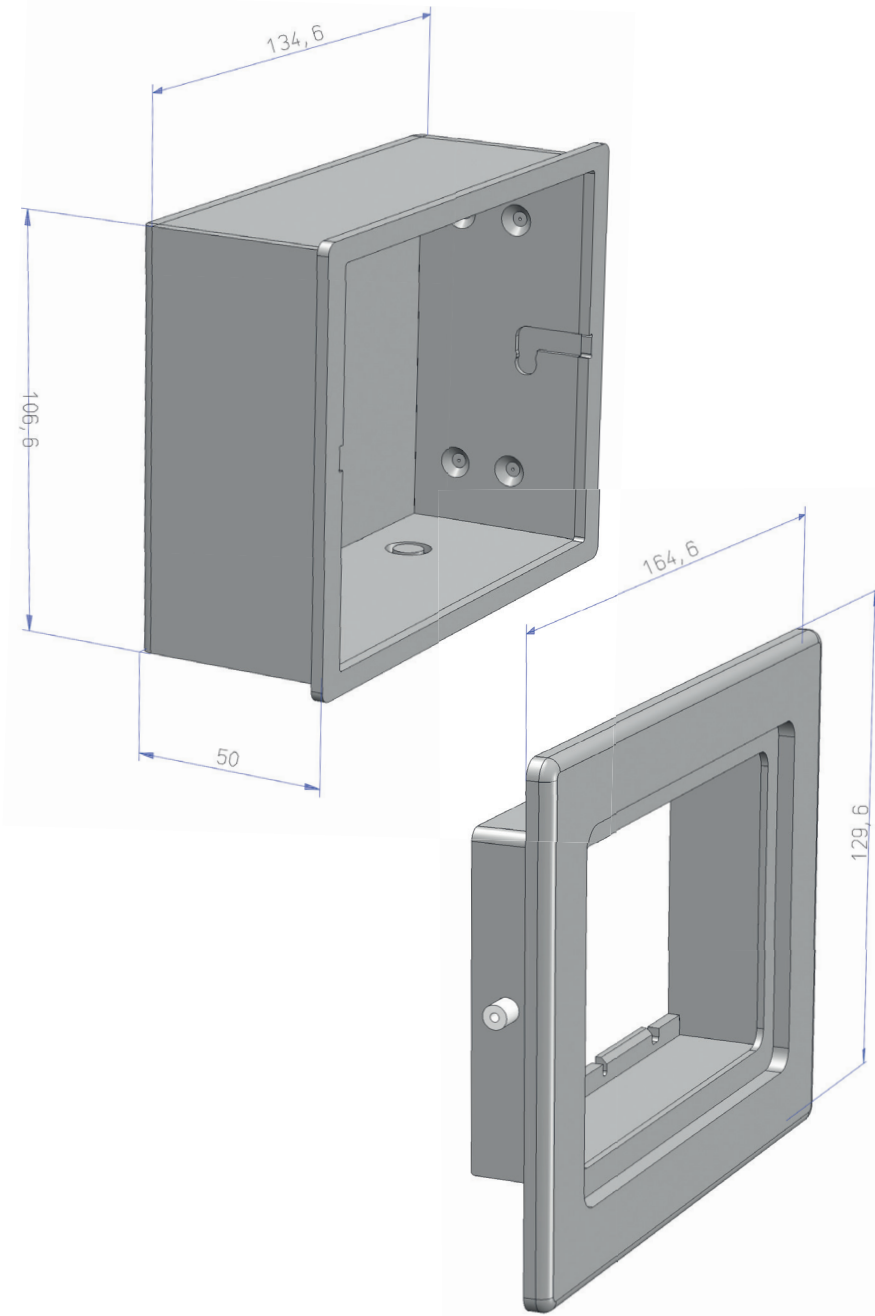
Our standard options include a slave-display for visualization on a second location, a signal lamp for extra visual alarm and an IO-unit for connecting with external systems.



## custom solutions

In addition to the standard configurations, we also offer customized solutions. For example, in addition to the ATM420 display, it is also possible to place status indication lamps on the other side of the walls or to display other values such as the temperature and humidity of the room.

# dimensions ATM420



# ATM420

## configuration options

For the ATM420 there are with several standard sets. One set includes the ATM420 display with flush-mount bezel and mounting box. The sets are fully configured and tested including one, two or three pressure transmitters. These pressure transmitters should be placed above the ceiling or in the technical room.

The ATM420 communicates digitally with the pressure transmitters. The analog outputs can be connected to a PLC or building management system. If desired, we can supply the pressure transmitters with a calibration certificate. Please contact us for a customer-specific quotation for your project.

	<b>ATM420-S-PEL</b>	Single: single differential pressure measurement 1x ATM420 series touch screen 1x PEL differential pressure transmitter calibration at extra cost
	<b>ATM420-D-PEL</b>	Double: two differential pressure measurements 1x ATM420 series touch screen 2x PEL differential pressure transmitter calibration at extra cost
	<b>ATM420-T-PEL</b>	Triple: three differential pressure measurements 1x ATM420 series touch screen 3x PEL differential pressure transmitter calibration at extra cost
	<b>ATM420-S-Slave</b> <b>ATM420-D-Slave</b> <b>ATM420-T-Slave</b>	Slave display - single differential pressure measurement Slave display - double differential pressure measurement Slave display - triple differential pressure measurement
	<b>IO420</b>	Input-output module 1x input for external on-off control 7x output alarm states, acceptance, in/out operation
	<b>SL420</b>	Status lamp for ATM420 Diameter 70mm, height 273mm Power supply: via USB Integrated buzzer Including 5 meters of cable
	<b>Modbus</b>	Expansion Module including firmware adjustment, for connecting an ATM420 to Modbus RTU
	<b>C-58-25</b> <b>C-58-50</b>	Crystal air hose on a roll of 25 meters Crystal air hose on a roll of 50 meters
	<b>A-465</b> <b>A-417A</b>	White plastic pressure measuring point 114x70 mm Stainless steel pressure measuring point 114x70 mm

Follow us on →

